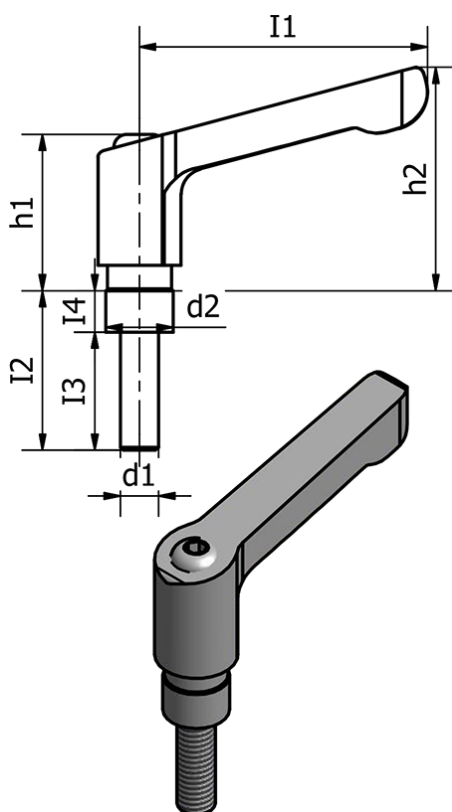


Article number: 20511M516  
Description: E+G Clamping kit  
GN 511-M5-16

## Measures



d1 = 6

d2 = 9

h1 = 24.5

h2 = 30

I1 = 30

I2 = 16

I3 = 10

I4 = 6

Weight (g) = 39